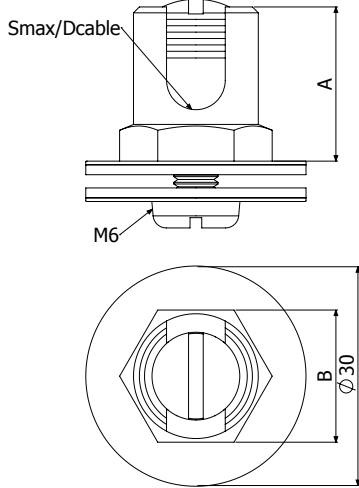




TECHNICAL CHARACTERISTICS



Models (Diameter x Llength):

GROUND CLAMP TT 35mm² M6x12; GROUND CLAMP TT 95mm² M6x12.

Finishes:

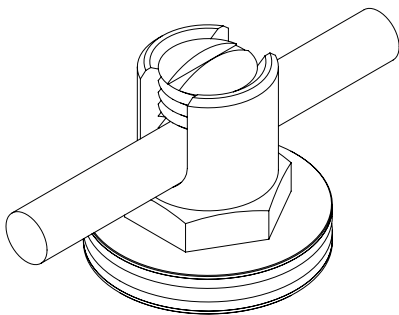
brass: Body and Bolt

Bi-metallic (aluminum-cooper): washers

Characteristics:

MODEL	S _{min}	S _{max}	Daprox _{cab}	A	B
	mm ²	mm ²	mm	mm	mm
GROUND C. TT 10-35mm ² M6x12	10	35	4 a 8	22	18
GROUND C. TT 35-95mm ² M6x12	35	95	8 a 12	30	24

INSTRUCTIONS FOR USE



- Ground Clamps TT with bi-metallic washers (aluminum-cooper), are the best solution to connect the cable tray system to ground avoiding galvanic corrosion. You can use wires of: 10, 16, 35, 50, 70 & 95mm².

- Having a good bonding network is important because:

The bonding network evacuates eddy currents and possible fault currents to ground.

With connecting the cable trays to bonding network first of all goods and people are protected, but furthermore, EMC problems are avoided.

- Use with:

Ground Clamps TT could be used with BASORFIL, BASORTRAY and BASORTRAV trays